

SIGN	DATE	DESCRIPTION	APPROVER
△	2/11'06	Electrical and Part No. is changed.	Marvin
△	12/09'13	update the drawing	Guoxue

THIS IS CAD DRAWING, DO NOT REVISE MANUALLY!!!

Material

- (a) Terminal body(metal housing): Brass(CuZn),Tin plated
- (b) Terminal screw: Steel Zinc plating "-" slot type
- (c) Wire guard: Stainless steel
- (d) Insulator (housing):Thermoplastic (UL94V-0)

Electrical cULus

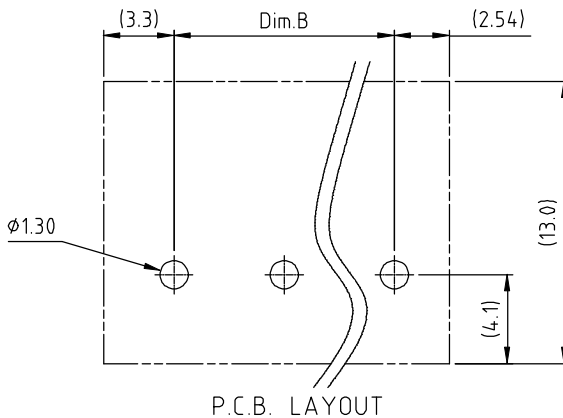
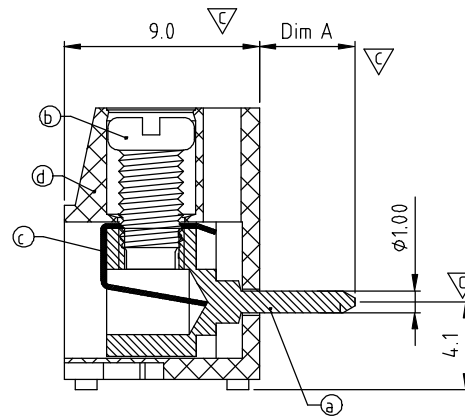
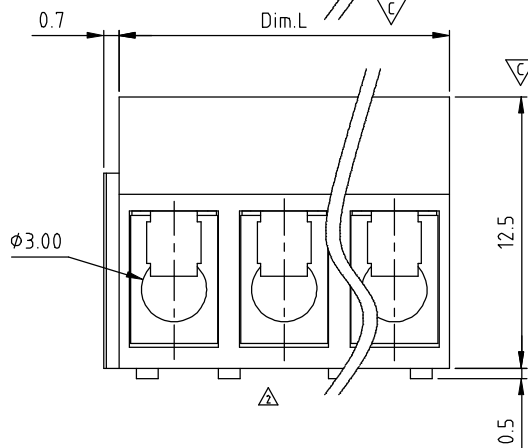
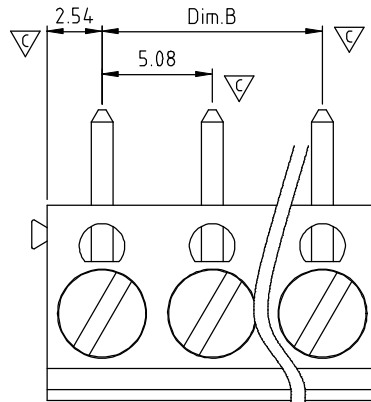
- △ ● Voltage rating: 250VAC
- Current rating: 15A
- Wire range:
- Solid wire(AWG): 14 -22
- Stranded wire(AWG):14-22
- Torque: 3.5Lb-In
- Screw: M3
- Wire strip length: 6-7mm
- Withstanding Voltage: 1.6KV
- △ ● Operating temperature: -40°C to +115°C
- △ ● Soldering temperature: 260°C±5°C/5 Sec
- Safety Approval: cULus
- Critical dimension: ∇

△ TB xx 2 1 x x xxxx G △

RoHS compliant
(lead<4%)
In copper Alloy

POLES	Color	DIM A Length
02 02 POLES		0 4.4mm
03 03 POLES	0 Black (RAL9005)	1 3.8mm
...	2 Red (RAL3001/D)	2 3.5mm
24 24 POLES	3 Orange(RAL2011/P)	
	4 Yellow(RAL1018/A)	
	5 Green(RAL6018/T)	
	6 Blue (RAL5015/A)	
	8 Grey(RAL 7035/D)	
	C Green(RAL6018/U)	

0000:"@Logo (Standard)
000A:"ANYTEK"Logo
Any special item by
customer request,
please contact sales
department.



Dim.L = N x 5.08
Dim.B = (N-1) x 5.08

N= number of poles △

poles Dim.	2P-6P	7P-12P	13P-18P	19P-24P
Dim.L	±0.15	±0.20	±0.30	±0.40
Dim.B	±0.15	±0.20	±0.30	±0.40

ANYTEK

CUSTOMER COPY

ALL RIGHTS RESERVED. REPRODUCTION OR ISSUE TO THIRD PARTIES IN ANY FORM WHATSOEVER IS NOT PERMITTED WITHOUT WRITTEN AUTHORITY FROM THE PROPRIETOR. PROPERTY OF ANYTEK TECHNOLOGY CO., LTD

TITLE		TB 5.08 series 1-interlock					
PART NO.		TBxx21xxxxxG		DWG NO.		8TB0203	
APPROVED		CHECKED	DESIGNED	DRAWN	CUST NO.		Tolerance
		Guoxue 2013.12.09	Guoxue 2013.12.09				X. ±0.50 X.X ±0.30 X.XX ±0.10 X° ±1°
		SHEET: 01/01		UNIT: mm SCALE: NONE		REV.: D	