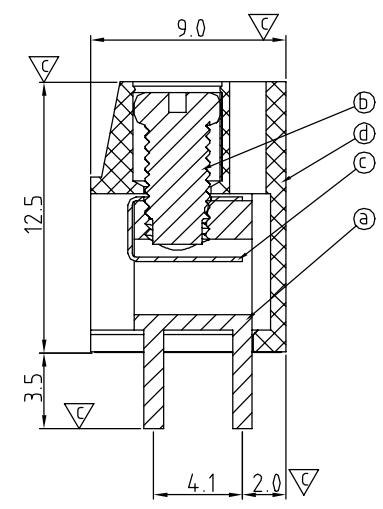
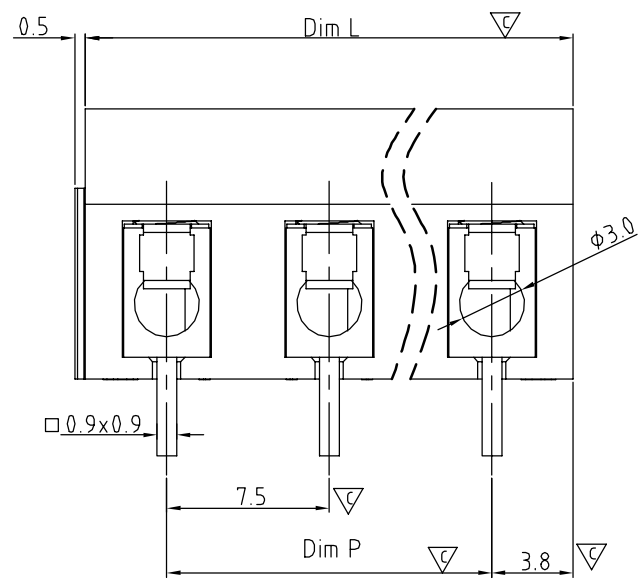
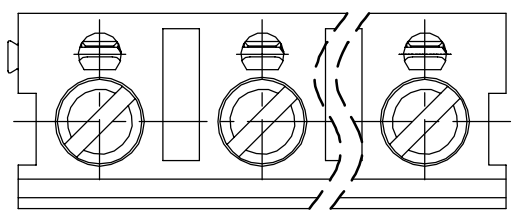


SIGN	DATE	DESCRIPTION	APPROVER
△	02.05'13	Update the drawing	Chen Bo
△			

THIS IS CAD DRAWING, DO NOT REVISE MANUALLY!!!

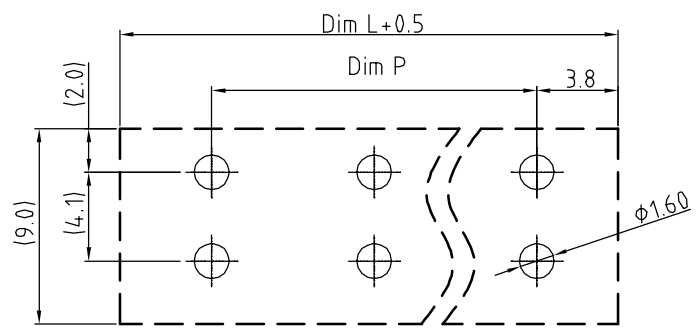


- Material**
- Item a Terminal body: Brass(CuZn),Tin plated
 - Item b Terminal screw: Steel Zinc plating "--" slot type
 - Item c Wire guard: Stainless steel
 - Item d Terminal housing:Thermoplastic (UL94 V-0)

- Electrical cULus**
- Voltage rating: 300VAC
 - Current rating: 15A
 - Wire range:
 - Solid wire(AWG): 14-22
 - Stranded wire(AWG): 14-22
 - Torque: 3.5Lb-In
 - Screw: M3
 - Wire strip length: 6-7mm
 - Withstanding Voltage: 1.6KV
 - Operating temperature: -40°C to +115°C
 - Soldering temperature: 260°C±5°C/5 Sec
 - SAFETY APPROVAL DETA: us
 - Critical dimension: ▽

VA xx 2 1 x 0 xxxx G

- End Stackable
- 02 02 CONTACTS
- 03 03 CONTACTS
- ... 16 16 CONTACTS
- Color
- 0 Black (RAL9005)
- 2 Red (RAL3001/D)
- 3 Orange(RAL2011/P)
- 4 Yellow(RAL1018/A)
- 5 Green(RAL6018/T)
- 6 Blue (RAL5015/A)
- 8 Grey(RAL7035/D)
- C Green(RAL6018/U)
- G RoHS compliant (lead<4%) In copper Alloy
- 0000 "@ " Logo
- 000A "ANY" Logo
-
- Any special item by customer request, please contact sales department



P.C.B Layout
Top view

N = Number of poles
Dim L=Nx7.5
Dim P=(N-1)x7.5

	Dim P	Dim L
2-4p	±0.10	±0.15
5-8p	±0.20	±0.20
9-12p	±0.25	±0.30
13-16p	±0.30	±0.40

ANYTEK				CUSTOMER COPY			
<small>ALL RIGHTS RESERVED. REPRODUCTION OR ISSUE TO THIRD PARTIES IN ANY FORM WHATSOEVER IS NOT PERMITTED WITHOUT WRITTEN AUTHORITY FROM THE PROPRIETOR. PROPERTY OF ANYTEK TECHNOLOGY CO., LTD</small>							
TITLE		VA -7.5mm Series		DWG NO.		8VA0101	
PART NO.		VAxx21x0xxxxG		CUST NO.			
APPROVED		DESIGNED		DRAWN		Tolerance	
		Chen Bo 02/05'13		Chen Bo 02/05'13		X. ±0.50	
						X.X ±0.30	
						X.XX ±0.10	
						X° ±1°	
				SHEET: 01/01		UNIT: mm	
						SCALE: NONE	
						REV.: D	