



SIGN	DATE	DESCRIPTION	APPROVER
△	01.12'06	Standard spec is changed.	Marivn
△	02.05'13	Update the drawing	Chen Bo

THIS IS CAD DRAWING, DO NOT REVISE MANUALLY!!!

Material

- Itemⓐ Terminal body: Brass(CuZn),Tin plated
- Itemⓑ Terminal screw: Steel Zinc plating "-" slot type
- Itemⓒ Wire guard: Stainless steel
- Itemⓓ Terminal housing:Thermoplastic (UL94V-0)

△ Electrical cULus

- Voltage rating: 300VAC
- Current rating: 15A
- Wire range:
- Solid wire(AWG): 14-22
- Stranded wire(AWG): 14-22
- Torque: 3.5Lb-In
- Screw: M3
- Wire strip length: 6-7mm
- Withstanding Voltage: 1.6KV
- Operating temperature: -40°C to +115°C
- Soldering temperature: 260°C±5°C/5 Sec
- SAFETY APPROVAL DETA: 
- Critical dimension: 

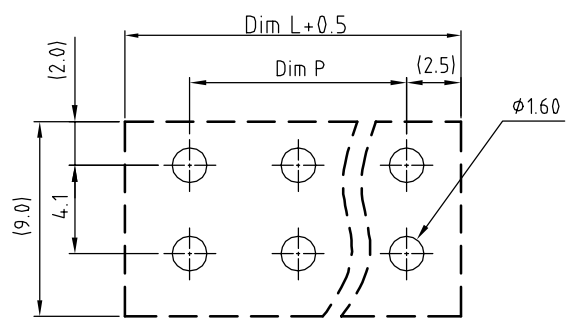
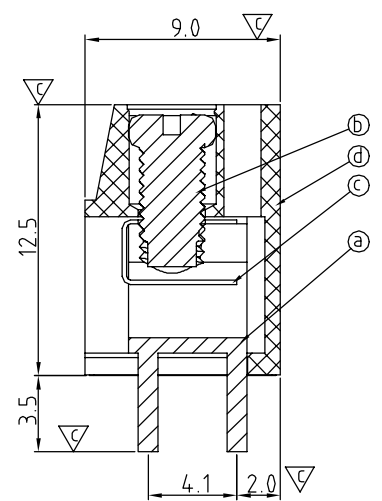
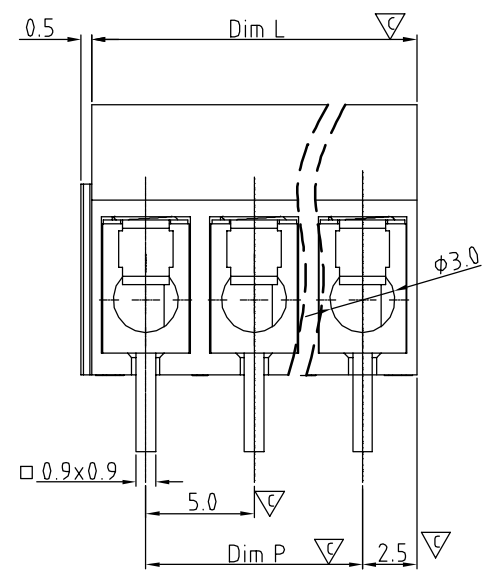
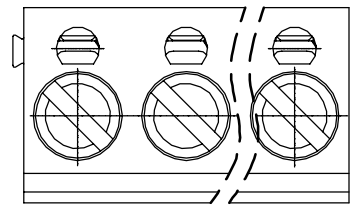
VA xx 0 1 x 0 xxxx G

End Stackable
02 02 CONTACTS
03 03 CONTACTS
...
24 24 CONTACTS

G RoHS compliant
(lead<4%)
In copper Alloy

Color

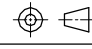
0	Black (RAL9005)	0000	"@" Logo
2	Red (RAL3001/D)	000A	"ANY" Logo
3	Orange(RAL2011/P)
4	Yellow(RAL1018/A)	Any special item by customer request, please contact sales department	
5	Green(RAL6018/T)		
6	Blue (RAL5015/A)		
8	Grey(RAL7035/D)		
C	Green(RAL6018/U)		



P.C.B Layout
Top view

N = Number of poles
Dim L = N x 5.0
Dim P = (N-1) x 5.0

	Dim L	Dim P
2-6p	±0.15	±0.10
7-12p	±0.20	±0.20
13-18p	±0.30	±0.25
19-24p	±0.40	±0.30

ANYTEK				CUSTOMER COPY			
ALL RIGHTS RESERVED. REPRODUCTION OR ISSUE TO THIRD PARTIES IN ANY FORM WHATSOEVER IS NOT PERMITTED WITHOUT WRITTEN AUTHORITY FROM THE PROPRIETOR. PROPERTY OF ANYTEK TECHNOLOGY CO., LTD							
TITLE		VA- 5.0mm Series					
PART NO.		VAxx01x0xxxxG			DWG NO.		8VA0001
APPROVED	CHECKED	DESIGNED	DRAWN	CUST NO.		Tolerance	
		Chen Bo 02/05'13	Chen Bo 02/05'13			UNIT: mm	X. ±0.50
						SCALE: NONE	X.X ±0.30
				SHEET: 01/01		REV.: D	X° ±1°