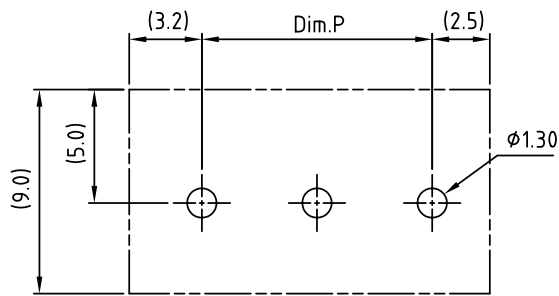
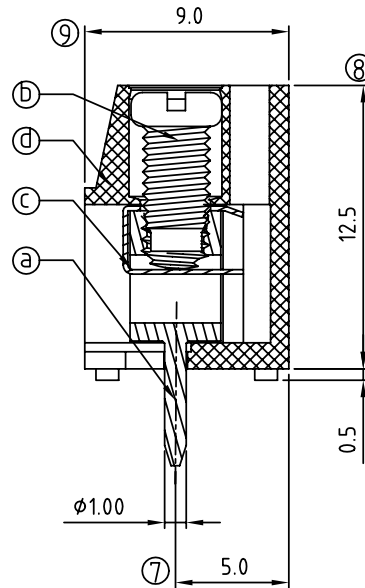
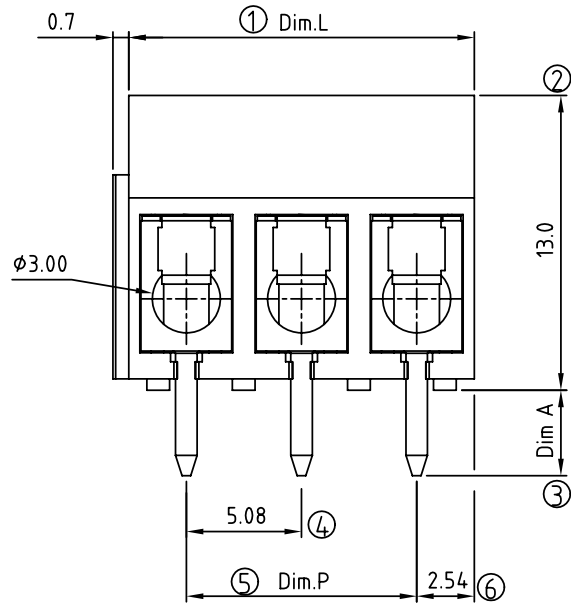
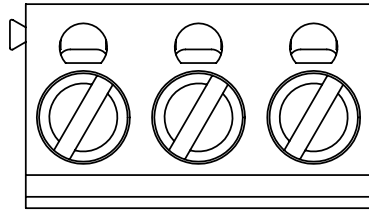


SIGN	DATE	DESCRIPTION	APPROVER
△	02.08'06	Standard spec is changed.	Marivn
△	10.15'09	The Safety Approval cULus Passed	Kind

*THIS IS CAD DRAWING, DO NOT REVISE MANUALLY!!!*



RECOMMENDED PCB LAYOUT

N = Number of poles  
 Dim L = N x 5.08  
 Dim P = (N - 1) x 5.08

	Dim L	Dim P
2-6p	±0.20	±0.15
7-12p	±0.25	±0.20
13-18p	±0.30	±0.25
19-24p	±0.40	±0.30

**Material**

- ⓐ Terminal body: Brass(CuZn) Tin plated
- ⓑ Terminal screw: Steel Zinc plating "-" slot type
- ⓒ Wire guard: Stainless steel
- ⓓ Terminal housing: Thermoplastic (UL94V-0)

△ Electrical cULus

- Voltage rating: 300VAC
- Current rating: 15A
- Wire range:
- Solid wire(AWG): 14-22
- Stranded wire(AWG): 14-22
- Torque(Lb-In): 3.5
- Screw: M3
- Wire strip length: 6-7mm
- Withstanding Voltage: 1.6KV
- Operating temperature: -40°C to +115°C
- Soldering temperature: 250°C±10°C/5 Sec

△ Safety Approval:



TA xx 41 x x 0000 G

02 2 CONTACTS	0 Black	Dim A	RoHS
03 3 CONTACTS	5 Green	1 3.8mm	Pb<40,000ppm
... ..	6 Blue	2 3.5mm	
24 24 CONTACTS	8 Grey	3 4.0mm	

<b>ANYTEK</b>		<b>CUSTOMER COPY</b>	
ALL RIGHTS RESERVED. REPRODUCTION OR ISSUE TO THIRD PARTIES IN ANY FORM WHATSOEVER IS NOT PERMITTED WITHOUT WRITTEN AUTHORITY FROM THE PROPRIETOR. PROPERTY OF ANYTEK TECHNOLOGY CO., LTD			
TITLE: TA - 5.08mm series one interlock		DWG NO.:	8TA0205
PART NO.:		TAxx41xx0000G	
APPROVED:	CHECKED:	DESIGNED:	DRAWN:
		Kind 2009.10.15	Marvin 2006.02.08
		SHEET: 01/01	
		UNIT: mm	Tolerance
		SCALE: NONE	X. ±0.50
		REV.: D	X.X ±0.30
			X.XX ±0.10
			X° ±1°