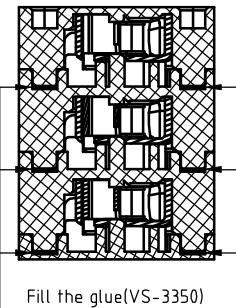
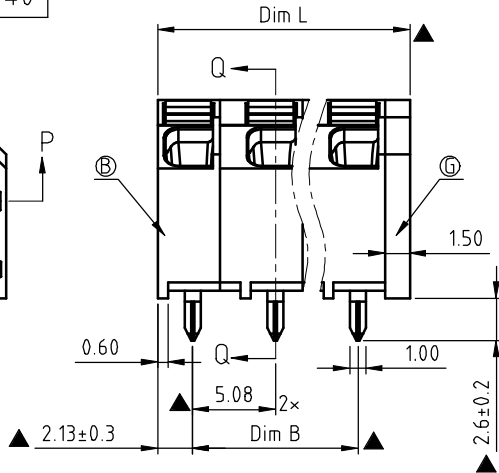
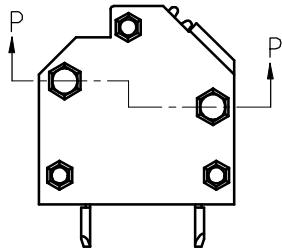
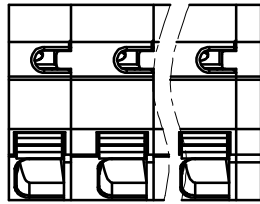
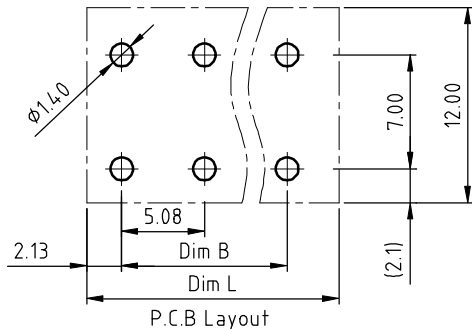


N=Number of poles
 Dim L=Nx5.08+0.23
 Dim B=(N-1)x5.08

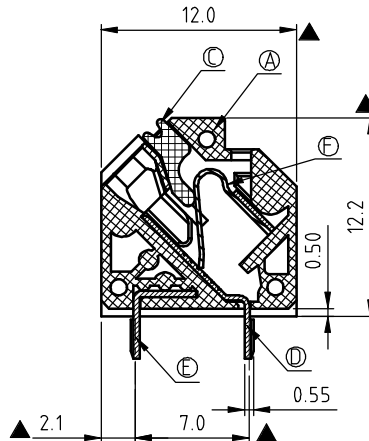
| POLES | Dim L | Dim B |
|--------|-------|-------|
| 1p | ±0.10 | — |
| 2-6p | ±0.15 | ±0.15 |
| 7-12p | ±0.20 | ±0.20 |
| 13-18p | ±0.30 | ±0.30 |
| 19-24p | ±0.40 | ±0.40 |



SECTION P-P



P.C.B Layout



SECTION Q-Q

| REV | SIGN | DATE | DESCRIPTION | APPROVER |
|---|------|------|-------------|----------|
| THIS IS CAD DRAWING, DO NOT REVISE MANUALLY!!! | | | | |

Material:

- Item (A) Terminal body: PA4T 30%GF (UL94V-0), Black
- Item (B) Terminal side body: PA4T 30%GF (UL94V-0), Black
- Item (C) Terminal lever: PA4T 30%GF (UL94V-0), Beige color
- Item (D) Long Terminal : C70250. Matte Tin Plated over Nickel plated.
- Item (E) Short Terminal : PhBz C5210, Matte Tin Plated over Nickel plated.
- Item (F) Spring clamp : Stainless steel
- Item (G) Terminal cover: PA4T 30%GF (UL94V-0), Black

Electrical:

- | | |
|--|------------------------|
| UL 1059 Group B | VDE (DIN EN 60998-2-2) |
| ● Voltage rating: 300 V | 250 V |
| ● Current rating: 10A | 9A |
| ● Wire range: | |
| ● Solid wire: 16-26 AWG | 0,2-1,5mm ² |
| ● Stranded wire: 16-26 AWG | 0,2-1,5mm ² |
| ● Wire strip length: 8-9 mm | |
| ● Withstanding Voltage: 1.6 kV | 2.0 kV |
| ● Operating temperature: -40°C to +115°C | |
| ● Reflow solder temperature: 260 °C, 10 sec Max. | |
| ● RoHS Compatible | |
| ● Critical dimension: ▲ | |
| ● Safety Approval: | |

PART NO.: NI xx 5A 0 x x x x x G

- | | | | | | |
|---------------|----------|------------|-----------------|---------------------------------------|-----------|
| No. of poles | 0 | Body Color | Black (RAL9005) | RoHS compliant | (lead<4%) |
| End Stackable | | | | In copper Alloy | |
| 01 | 1 poles | | | 00000: "@ " Logo | |
| 02 | 2 poles | | | 0000A: "ANYTEK" Logo | |
| ... | ... | | | Any special item by customer request. | |
| 24 | 24 poles | | | please contact sales department. | |

Amphenol
ANYTEK

CUSTOMER COPY

ALL RIGHTS RESERVED. REPRODUCTION OR ISSUE TO THIRD PARTIES IN ANY FORM WHATSOEVER IS NOT PERMITTED WITHOUT WRITTEN AUTHORITY FROM THE PROPRIETOR. PROPERTY OF ANYTEK TECHNOLOGY CO., LTD

| TITLE | | NI 5.08mm Series THR type | |
|--------------|---------------|---------------------------|---------------------|
| PART NO. | NIxx5A0BxxxxG | DWG NO. | 8NI0041 |
| APPROVED | CHECKED | DESIGNED | DRAWN |
| | | ChenBo 2017/9/12 | ChenBo 2017/6/19 |
| CUST NO. | | Tolerance | |
| | | X. ±0.50 | |
| | | X.X ±0.30 | |
| | | X.XX ±0.10 | |
| | | X° ±1° | |
| SHEET: 01/01 | | UNIT: mm | |
| | | SCALE: NONE | |
| | | REV.: A0 | |