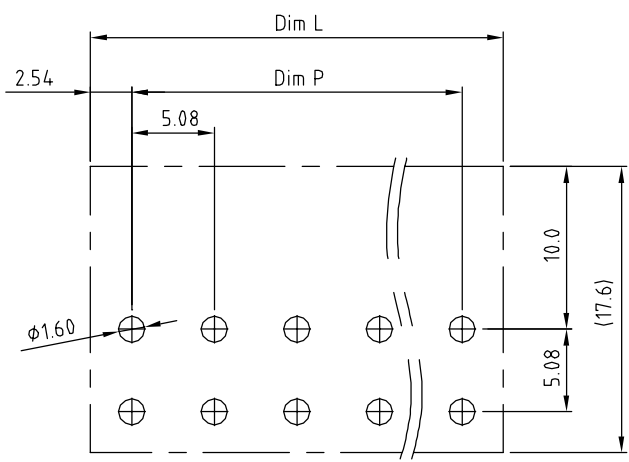
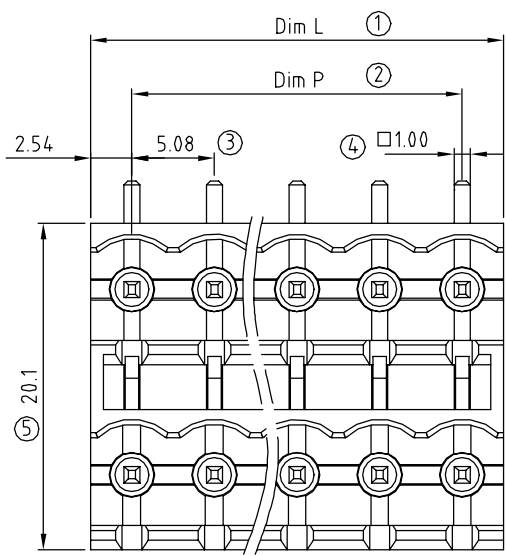


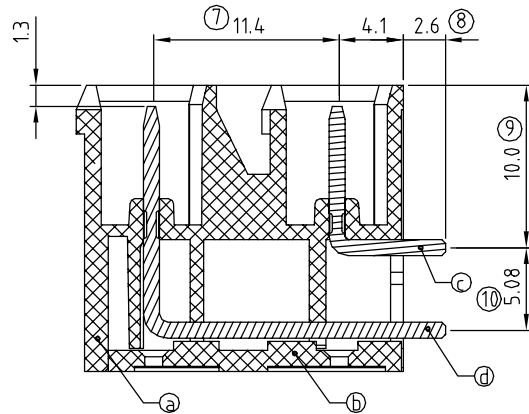
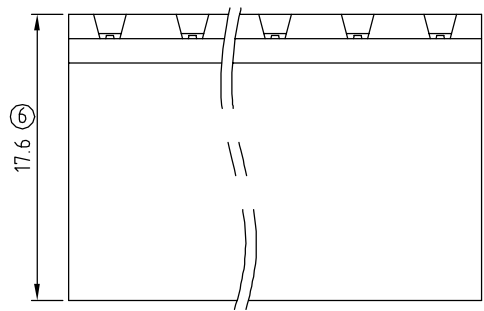
SIGN	DATE	DESCRIPTION	APPROVER
△			
THIS IS CAD DRAWING, DO NOT REVISE MANUALLY!!!			



PCB Layout

- Material:
- Item a Terminal(housing): PA9T (UL94V-0)
  - Item b Terminal(cover): PA9T (UL94V-0)
  - Item c Male contact pin of short: Copper Tin plated
  - Item d Male contact pin of long: Copper Tin plated

- Electrical: cULus
- Voltage rating: 300V
  - Current rating: 12A
  - Withstanding Voltage: 1.6KV
  - Operating temperature: -45°C to +130°C
  - Soldering temperature: 280°C/10 Sec



**KE xx 5 4 x 1 xxxx G**

No. OF POLES  
 04: 2x2 POLES  
 06: 2x3 POLES  
 :  
 48: 2x24POLES  
 COLOR  
 0: BLACK

G: Pb<40000ppm  
 0000: "@ " Logo (Standard)  
 000A: "ANYTEK" Mark  
 Any special item by customer request. please contact sales department.

N = Number of poles  
 Dim L=Nx5.08  
 Dim P=(N-1)x5.08

Poles	Dim L	Dim P
2x2-2x6p	±0.15	±0.15
2x7-2x12p	±0.25	±0.25

<b>ANYTEK</b>				<b>CUSTOMER COPY</b>			
ALL RIGHTS RESERVED. REPRODUCTION OR ISSUE TO THIRD PARTIES IN ANY FORM WHATSOEVER IS NOT PERMITTED WITHOUT WRITTEN AUTHORITY FROM THE PROPRIETOR. PROPERTY OF ANYTEK TECHNOLOGY CO., LTD							
TITLE		KE 5.08mm Open Flange Series 2x2p-2x24p (Right angle) THR TYPE					
PART NO.		KExx54x1xxxxG			DWG NO.		8KE0215
APPROVED		CHECKED	DESIGNED	DRAWN	CUST NO.		Tolerance
			Aaron 2011.03.28	Aaron 2011.03.28			X. ±0.50 X.X ±0.30 X.XX ±0.10 X° ±1°
				SHEET: 01/01		UNIT: mm SCALE: NONE REV.: A1	