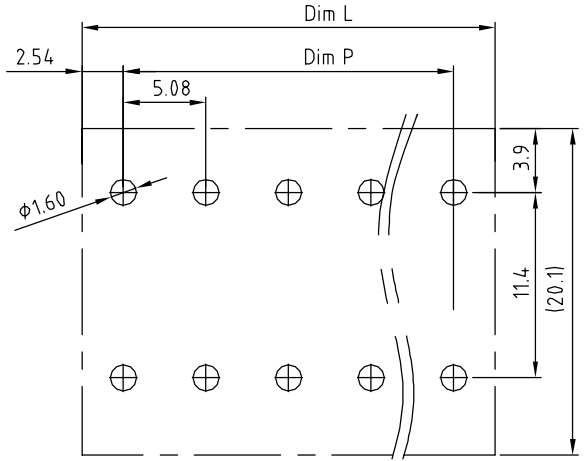
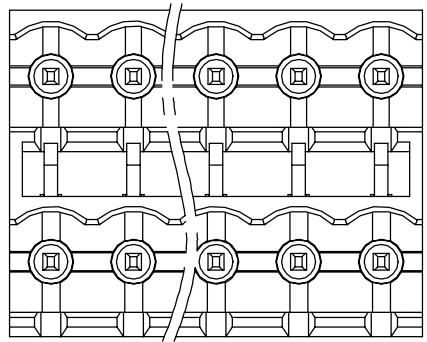


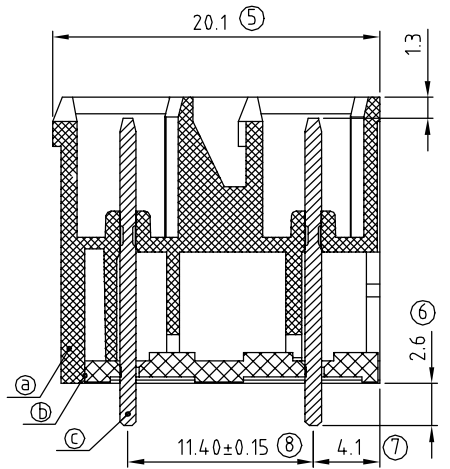
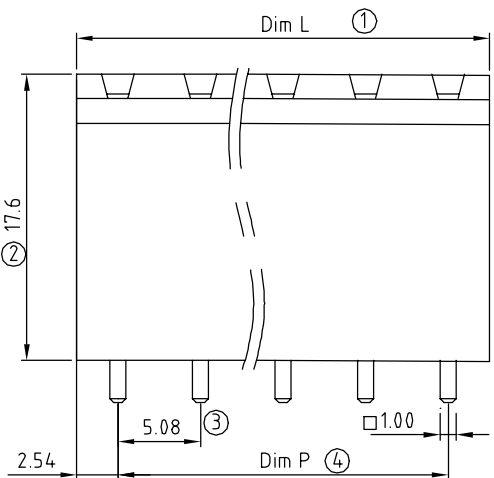
SIGN	DATE	DESCRIPTION	APPROVER
△			
THIS IS CAD DRAWING, DO NOT REVISE MANUALLY!!!			



PCB Layout

- Material:
- Item a Terminal(housing): PA9T (UL94V-0)
 - Item b Terminal(cover): PA9T (UL94V-0)
 - Item c Male contact pin : Copper Tin plated

- Electrical: cULus
- Voltage rating: 300V
 - Current rating: 12A
 - Withstanding Voltage: 1.6KV
 - Operating temperature: -45°C to +130°C
 - Soldering temperature: 280°C/10 Sec



KE xx 5 4 x 0 xxxx G

No. OF POLES
 04: 2x2 POLES
 06: 2x3 POLES
 :
 48: 2x24 POLES
 COLOR
 0: BLACK

G: Pb<40000ppm
 0000: "@ " Logo (Standard)
 000A: "ANYTEK" Mark
 Any special item by customer request. please contact sales department.

N = Number of poles
 Dim L = N x 5.08
 Dim P = (N-1) x 5.08

Poles	Dim L	Dim P
2x2-2x6p	±0.15	±0.15
2x7-2x12p	±0.25	±0.25

ANYTEK				CUSTOMER COPY			
ALL RIGHTS RESERVED. REPRODUCTION OR ISSUE TO THIRD PARTIES IN ANY FORM WHATSOEVER IS NOT PERMITTED WITHOUT WRITTEN AUTHORITY FROM THE PROPRIETOR. PROPERTY OF ANYTEK TECHNOLOGY CO., LTD							
TITLE		KE 5.08mm Open Series 2x2p-2x24p (Vertical) THR TYPE					
PART NO.		KExx54x0xxxxG			DWG NO.		8KE0214
APPROVED		DESIGNED	DRAWN	CUST NO.		Tolerance	
		Aaron 2011.03.28	Aaron 2011.03.28			X. ±0.50	
						UNIT: mm	
						SCALE: NONE	
				SHEET: 01/01		REV.: A1	
						X.XX ±0.10	
						X° ±1°	