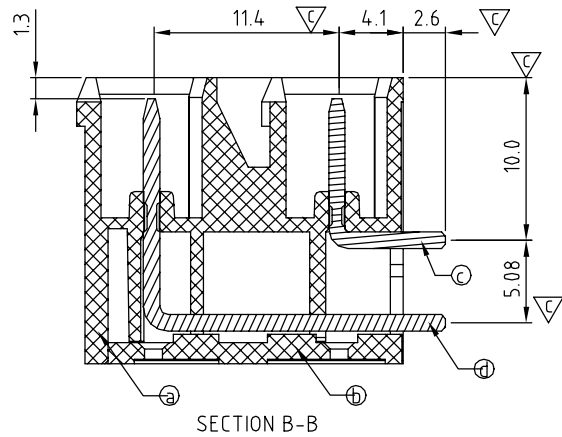
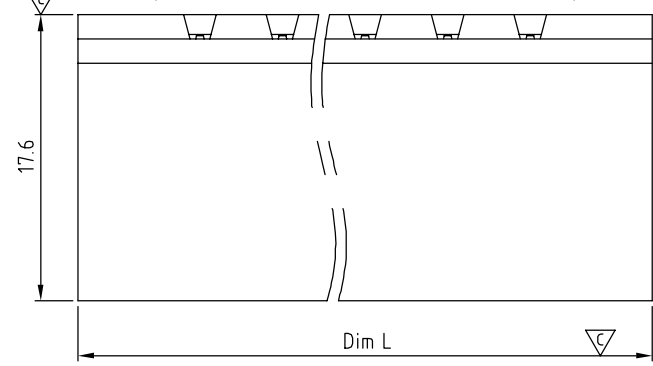
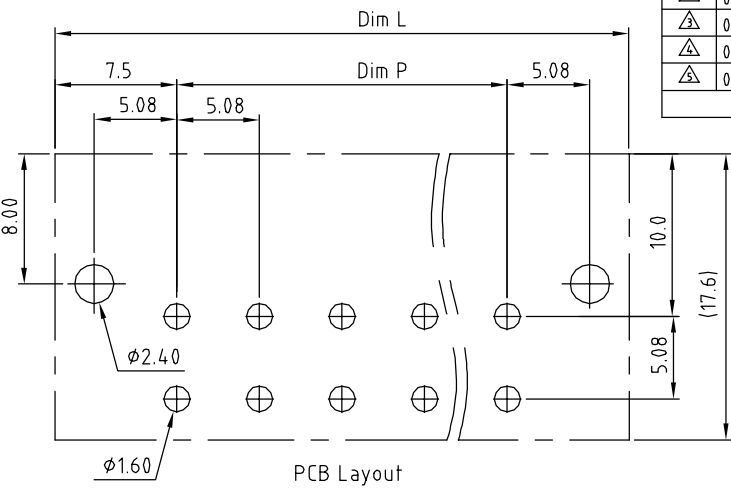
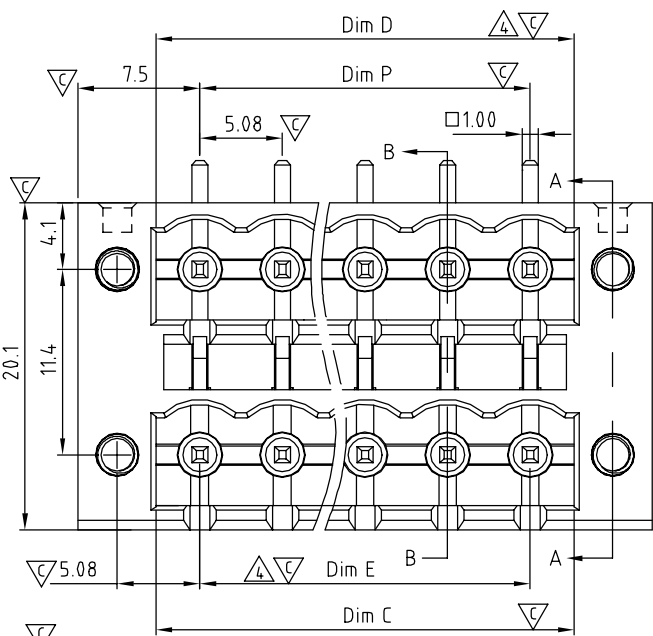


SIGN	DATE	DESCRIPTION	APPROVER
△	03/29`12	Operating temperature is changed from -40°C to +130°C to -45°C to +120°C	Chen Bo
△	03/29`12	The Material is changed	Chen Bo
△	03/29`12	Add is cULus	Chen Bo
△	03/29`12	The dimension D & E are added	Chen Bo
△	03/29`12	Flange nut is changed	Chen Bo

THIS IS CAD DRAWING, DO NOT REVISE MANUALLY!!!



- Material:
- Item a Terminal(housing): High temp. polyamide(UL94V-0)
 - Item b Terminal(cover): High temp. polyamide(UL94V-0)
 - Item c Male contact pin of short: Copper Tin plated
 - Item d Male contact pin of long: Copper Tin plated
 - Item e With flange nut: Brass M2.5
- Electrical: cULus
- Voltage rating: 300V
 - Current rating: 12A
 - Withstanding Voltage: 1.6KV
 - Operating temperature: -45°C to +120°C
 - Soldering temperature: 280°C/10 Sec
 - Safety Approval: cULus
 - Critical dimension: ∇

KE xx 5 2 x 1 xxxx G

No. OF POLES
 04: 2x2 POLES
 06: 2x3 POLES
 ...
 48: 2x24 POLES

COLOR
 0: BLACK

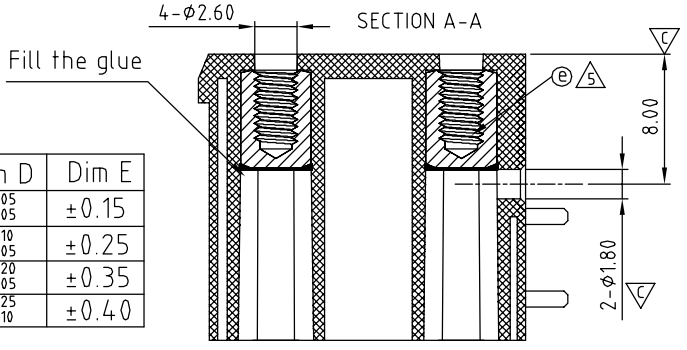
G RoHS compliant (lead<4%)
 In copper Alloy

0000: "@" Logo (Standard)
 000A: "ANYTEK" Mark

Any special item by customer request. please contact sales department.

N = Number of poles
 Dim L=(N+1)×5.08+4.84
 Dim P=(N-1)×5.08
 Dim C=(N-1)×5.08+5.4
 Dim D=(N-1)×5.08+5.4
 Dim E=(N-1)×5.08

Poles	Dim L	Dim P	Dim C	Dim D	Dim E
2x2-2x6p	±0.15	±0.15	+0.05 -0.05	+0.05 -0.05	±0.15
2x7-2x12p	±0.25	±0.25	+0.10 -0.05	+0.10 -0.05	±0.25
2x13-2x18p	±0.35	±0.35	+0.20 -0.05	+0.20 -0.05	±0.35
2x19-2x24p	±0.40	±0.40	+0.25 -0.10	+0.25 -0.10	±0.40



ANYTEK

CUSTOMER COPY
ALL RIGHTS RESERVED. REPRODUCTION OR ISSUE TO THIRD PARTIES IN ANY FORM WHATSOEVER IS NOT PERMITTED WITHOUT WRITTEN AUTHORITY FROM THE PROPRIETOR. PROPERTY OF ANYTEK TECHNOLOGY CO., LTD

TITLE		KE 5.08mm With Flange Series (Right angle) THR TYPE			
PART NO.	KExx52x1xxxxG	DWG NO.	8KE0203		
APPROVED	CHECKED	DESIGNED	DRAWN	CUST NO.	Tolerance
		Chen Bo 03/29`12	Chen Bo 03/29`12		X. ±0.50 X.X ±0.30 X.XX ±0.10 X° ±1°
				UNIT: mm SCALE: NONE SHEET: 01/01 REV.: C	