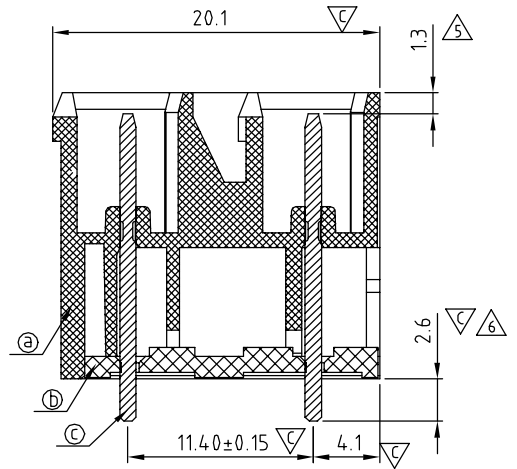
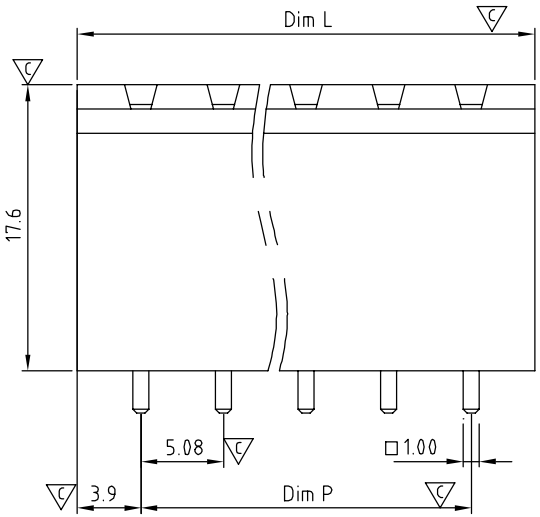


PCB Layout



SIGN	DATE	DESCRIPTION	APPROVER
△	03/29`12	Operating temperature is changed from -40°C to +130°C to -45°C to +120°C	Chen Bo
△	03/29`12	The Material is changed	Chen Bo
△	03/29`12	Add is cULus	Chen Bo
△	03/29`12	The dimension D & E are added	Chen Bo
△	03/29`12	The dimension is changed from 1.30mm to 1.3mm	Chen Bo
△	03/29`12	The dimension is changed from 2.60mm to 2.6mm	Chen Bo

THIS IS CAD DRAWING, DO NOT REVISE MANUALLY!!!

- Material:
- Item a Terminal(housing): High temp. polyamide(UL94V-0)
 - Item b Terminal(cover): High temp. polyamide(UL94V-0)
 - Item c Male contact pin : Copper Tin plated
- Electrical: cULus
- Voltage rating: 300V
 - Current rating: 12A
 - Withstanding Voltage: 1.6KV
 - Operating temperature: -45°C to +120°C
 - Soldering temperature: 280°C/10 Sec
 - Safety Approval: cULus
 - Critical dimension: ∇

KE xx 5 1 x 0 xxxx G

No. OF POLES
 04: 2x2 POLES
 06: 2x3 POLES
 :
 48: 2x24 POLES

COLOR
 0: BLACK

G RoHS compliant (lead<4%)
 In copper Alloy
 0000: "@" Logo (Standard)
 000A: "ANYTEK" Mark

Any special item by customer request. please contact sales department.

Poles	Dim L	Dim P	Dim C	Dim D	Dim E
2x2-2x6p	±0.15	±0.15	+0.05 -0.05	+0.05 -0.05	±0.15
2x7-2x12p	±0.25	±0.25	+0.10 -0.05	+0.10 -0.05	±0.25
2x13-2x18p	±0.35	±0.35	+0.20 -0.05	+0.20 -0.05	±0.35
2x19-2x24p	±0.40	±0.40	+0.25 -0.10	+0.25 -0.10	±0.40

N = Number of poles
 Dim L=Nx5.08+2.72
 Dim P=(N-1)x5.08
 Dim C=(N-1)x5.08+5.4
 Dim D=(N-1)x5.08+5.4
 Dim E=(N-1)x5.08

ANYTEK				CUSTOMER COPY					
								ALL RIGHTS RESERVED. REPRODUCTION OR ISSUE TO THIRD PARTIES IN ANY FORM WHATSOEVER IS NOT PERMITTED WITHOUT WRITTEN AUTHORITY FROM THE PROPRIETOR. PROPERTY OF ANYTEK TECHNOLOGY CO., LTD	
TITLE		KE 5.08mm W/O Flange Series (Vertical) THR TYPE							
PART NO.		KExx51x0xxxxG			DWG NO.		8KE0202		
APPROVED		CHECKED		DESIGNED		DRAWN		CUST NO.	
				Chen Bo 03/29`12		Chen Bo 03/29`12			
								Tolerance	
								X. ±0.50	
								X.X ±0.30	
								X.XX ±0.10	
								X° ±1°	
								UNIT: mm	
								SCALE: NONE	
								REV.: C	
								SHEET: 01/01	