
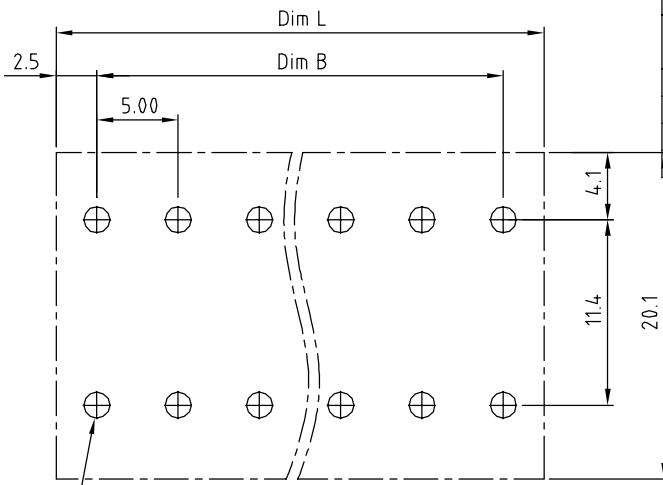
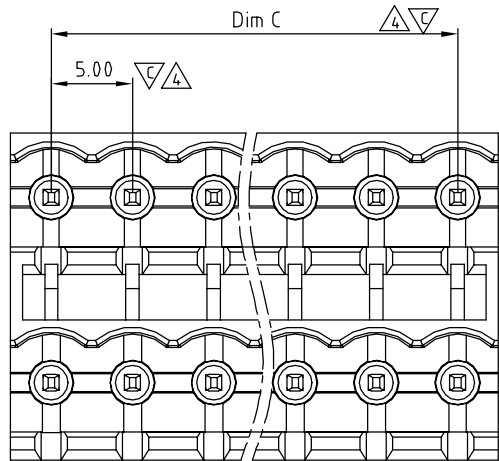


1 2 3 4 5 6 7

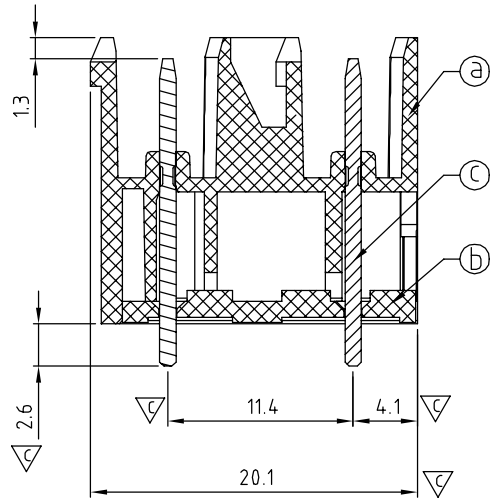
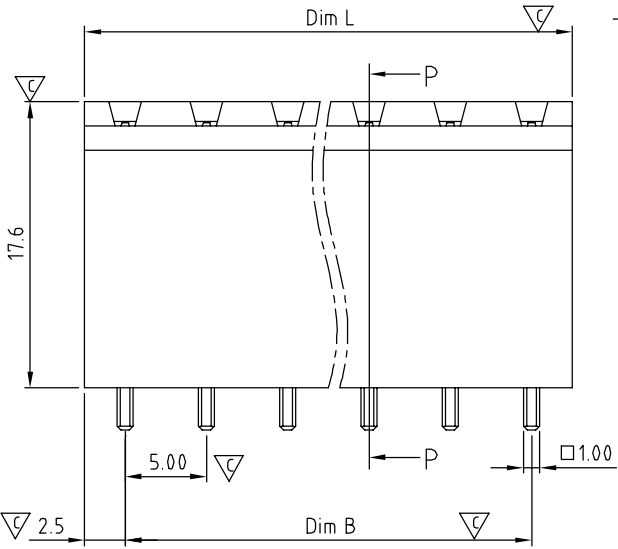
SIGN	DATE	DESCRIPTION	APPROVER
△	04/16`12	Operating temperature is changed from -40°C to +130°C to -45°C to +120°C	Chen Bo
△	04/16`12	The Material is changed	Chen Bo
△	04/16`12	Add is cULus	Chen Bo
△	04/16`12	The dimension Dim C & 5.00 are added	Chen Bo

THIS IS CAD DRAWING, DO NOT REVISE MANUALLY!!!

- Material:
- Item a Terminal(housing): High temp. polyamide (UL94V-0)
 - Item b Terminal(cover): High temp. polyamide (UL94V-0)
 - Item c Male contact pin : Copper Tin plated
- Electrical: cULus
- Voltage rating: 300V
 - Current rating: 12A
 - Withstanding Voltage: 1.6KV
 - Operating temperature: -45°C to +120°C
 - Soldering temperature: 280°C/10 Sec
 - Safety Approval: 
 - Critical dimension: ▽



P.C.B Layout



SECTION P-P

KE xx 7 4 x 0 xxxx G

No. OF POLES
 04: 2x2 POLES
 06: 2x3 POLES
 :
 48: 2x24 POLES

COLOR
 0: BLACK

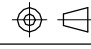
RoHS compliant (lead<4%)
 In copper Alloy

0000: "@" Logo (Standard)
 000A: "ANYTEK" Mark

Any special item by customer request.
 please contact sales department.

Poles	Dim L	Dim B	Dim C
2x2P-2x6P	±0.15	±0.15	±0.15
2x7P-2x12P	±0.25	±0.25	±0.25
2x13P-2x18P	±0.35	±0.35	±0.35
2x19P-2x24P	±0.40	±0.40	±0.40

N = Number of poles
 Dim L=Nx5.0
 Dim B=(N-1)x5.0
 Dim C=(N-1)x5.0

ANYTEK				CUSTOMER COPY			
ALL RIGHTS RESERVED. REPRODUCTION OR ISSUE TO THIRD PARTIES IN ANY FORM WHATSOEVER IS NOT PERMITTED WITHOUT WRITTEN AUTHORITY FROM THE PROPRIETOR. PROPERTY OF ANYTEK TECHNOLOGY CO., LTD							
TITLE		KE 5.0mm Open Series 2x2P-2x24P (180°-Vertical) THR type					
PART NO.		KExx74x0xxxxG			DWG NO.		8KE0116
APPROVED		CHECKED	DESIGNED	DRAWN	CUST NO.		Tolerance
			Chen Bo 04/16`12	Chen Bo 04/16`12			X. ±0.50 X.X ±0.30 X.XX ±0.10 X° ±1°
						UNIT: mm	
				SHEET: 01/01		SCALE: NONE	
						REV.: C	

1 2 3 4 5 6 7