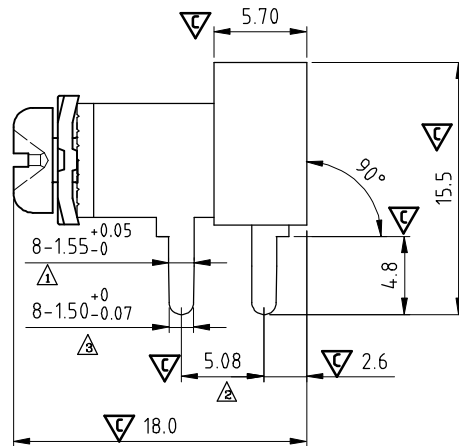
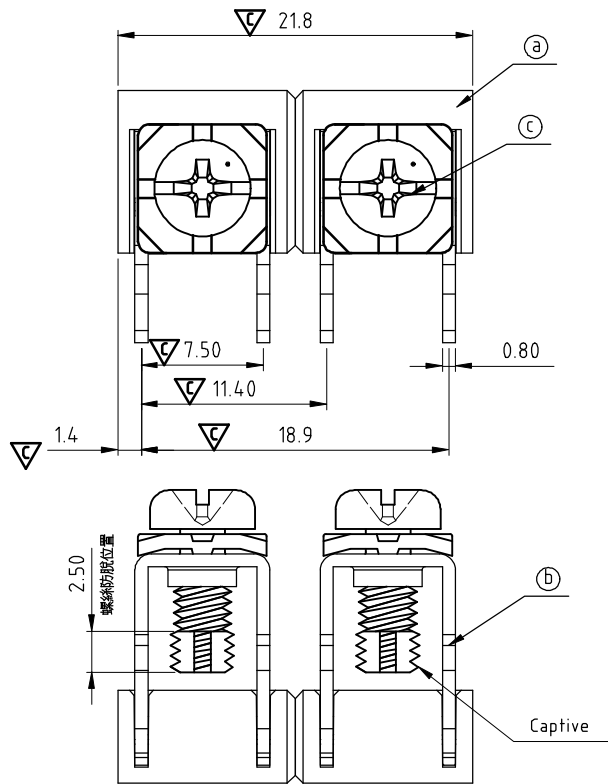


SIGN	DATE	DESCRIPTION	APPROVER
△	08 /19'14	Change the dimension from 1.69 to 1.55 $\pm 0.05$	Guoxue
△	08 /19'14	Change the dimension from 4.97 to 5.08	Guoxue
△	08 /19'14	Add the dimension 1.50 $\pm 0.07$	Guoxue
△	08 /19'14	Update the drawing	Guoxue

*THIS IS CAD DRAWING, DO NOT REVISE MANUALLY!!!*



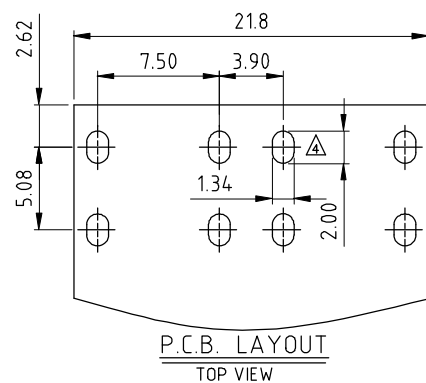
MATERIALS ELECTRICAL  
 RATED VOLTAGE & CURRENT: 300 V, 30 A  
 WITHSTAND VOLTAGE: AC 2000 V/Min  
 INSULATION RESISTANCE: 1000 MΩ OR MORE AT DC 500 V  
 OPERATING TEMPERATURE RANG: -40 °C ~ +115 °C  
 SCREW TORQUE VALUE: 9.5Lb-In.max

- 1) Screw prevented break force must be 6kgf.cm Min.
- 2) The retention between body and terminal must be 3.5 kgf.cm Min.
- 3) The spacer can't be turned round after the screw is locked fully.
- 4) Glow wire test must meet below requirements: According to the IEC 60695: The top temperature of the glow wire test is 750°C, keep 30s±1s. The sample don't have the flame, The top temperature of the glow wire test is 850°C, keep 30s±1s. The sample can't be burned in 2s after it is removed from the glow wire.

WIRE RANGE: 22 - 12 AWG

a) MOLDED PARTS: Thermoplastic, UL 94 V-0 BLACK  
 b) TERMINAL: BRASS, 0.8t, Tin PLATED  
 c) TERMINAL SCREWS: STEEL, Ni Plated, M3.5

APPROVAL:  
 Critical dimension: ▽



ANYTEK				CUSTOMER COPY			
ALL RIGHTS RESERVED. REPRODUCTION OR ISSUE TO THIRD PARTIES IN ANY FORM WHATSOEVER IS NOT PERMITTED WITHOUT WRITTEN AUTHORITY FROM THE PROPRIETOR. PROPERTY OF ANYTEK TECHNOLOGY CO., LTD							
TITLE	YJ 114 Series (The screw is captive)						
PART NO.	YJ1140200000G			DWG NO.	8YJ0001		
APPROVED	CHECKED	DESIGNED	DRAWN	CUST NO.	Tolerance		
		Guoxue 2014.08.21	Guoxue 2014.08.21		X. ±0.50		
					X.X ±0.30		
					X.XX ±0.10		
					X° ±1°		
				SHEET: 01/01	UNIT: mm	SCALE: NONE	REV.: C