

VER	SIGN	DATE	DESCRIPTION	APPROVER
C	△	02/13/17	Error correction, add critical dimension and safety approval	Eddie

*THIS IS CAD DRAWING, DO NOT REVISE MANUALLY!!!*

**Material:**

- Item a Terminal housing:LCP (UL94V-0)
- Item b Long solder pin: Copper alloy, Tin plated
- △ Item c Short solder pin: Brass .Matte Tin plated over Nickel plated.
- △ ● Item d Solder pin: Brass .Matte Tin plated over Nickel plated.

**Electrical UL**

- Voltage rating: 300VAC
- Current rating: 5A
- Wire range:
- Solid wire(AWG): 20-26
- Tin Dipped Stranded wire(AWG): 20-26
- Wire strip length: 6-7mm
- Withstanding Voltage: 1.6KV
- Operating temperature: -45°C to +130°C
- Reflow soldering temperature: 260°C/10 Sec Max.

△ ● Safety Approval:

△ ● Critical dimension: ▲

**NQ xx 0 0 x 0 xxxx G**

- No. OF POLES
- 04: 4 POLES
- 05: 5 POLES
- ...
- △ 10: 10 POLES

G RoHS compliant (lead<4%)  
In copper Alloy

△ Color

- 0 Black (RAL9005)
- 1 Natural color
- 8 Grey(RAL7044)

0000: "@ " Logo (Standard)

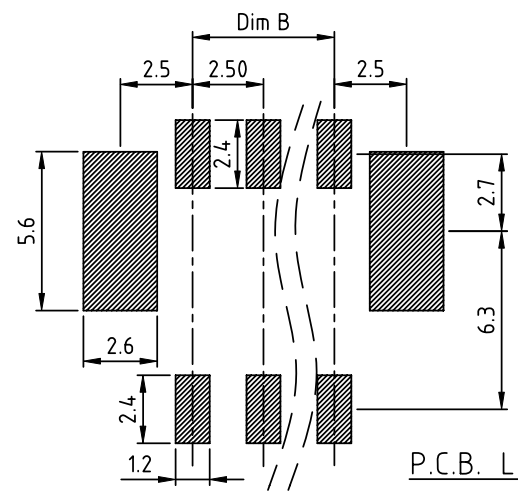
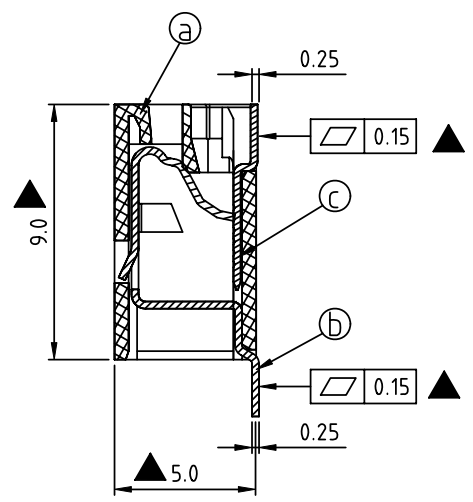
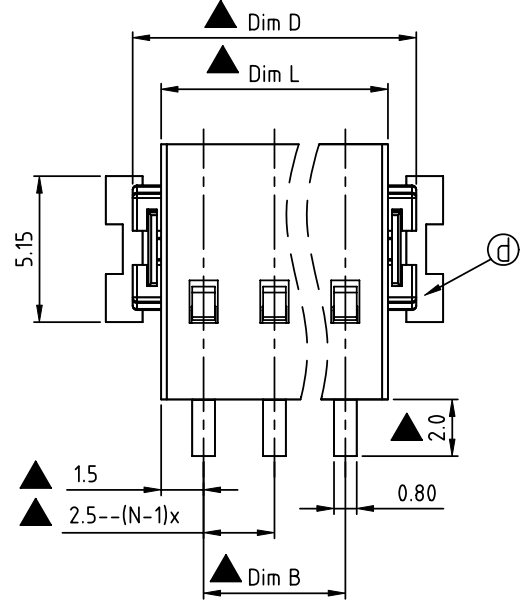
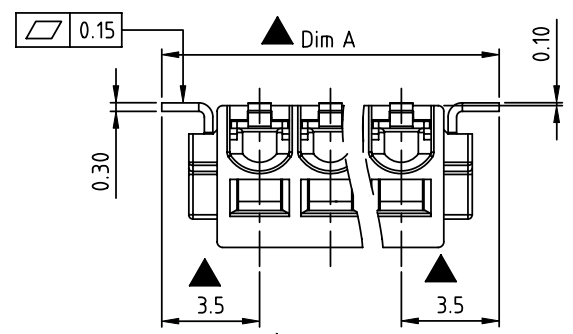
000A: "ANYTEK" Mark

Any special item by customer request please contact sales department.

N=Number of poles

Dim.L	$(N-1) \times 2.5+3.0$
Dim.A	$(N-1) \times 2.5+6.9$
Dim.B	$(N-1) \times 2.5$
Dim.D	$(N-1) \times 2.5+5.0$

POLES	Dim L & B & D TOL	Dim A TOL
4P - 7P	-0.15/+0.15	-0.15/+0.30
8P - 10P	-0.20/+0.20	-0.20/+0.35



P.C.B. LAYOUT

<b>Amphenol ANYTEK</b>				<b>CUSTOMER COPY</b>	
ALL RIGHTS RESERVED. REPRODUCTION OR ISSUE TO THIRD PARTIES IN ANY FORM WHATSOEVER IS NOT PERMITTED WITHOUT WRITTEN AUTHORITY FROM THE PROPRIETOR. PROPERTY OF ANYTEK TECHNOLOGY CO., LTD					
TITLE		NQ 2.5mm Series With flange (SMT)4P-10P			
PART NO.		NQxx00x0xxxxG		DWG NO. 8NQ0005	
APPROVED	CHECKED	DESIGNED	DRAWN	CUST NO.	
		Chen Bo 09/13-16	Chen Bo 09/13-16		
				UNIT: mm SCALE: NONE SHEET: 01/01 REV.: C	
				Tolerance X. ±0.50 X.X ±0.30 X.XX ±0.10 X° ±1°	