

DIMENSION

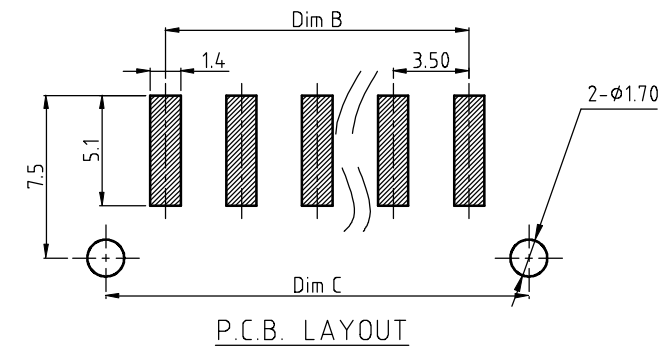
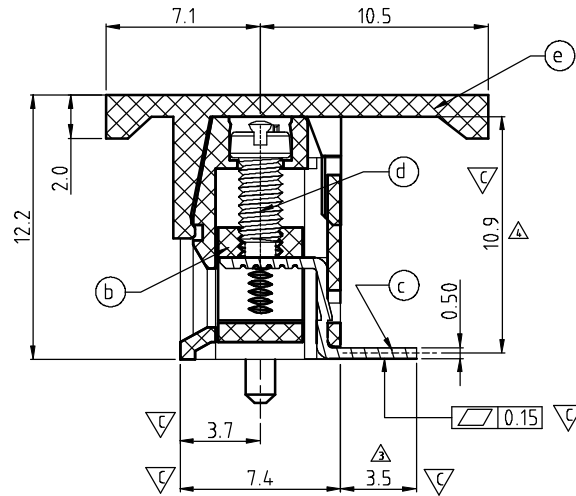
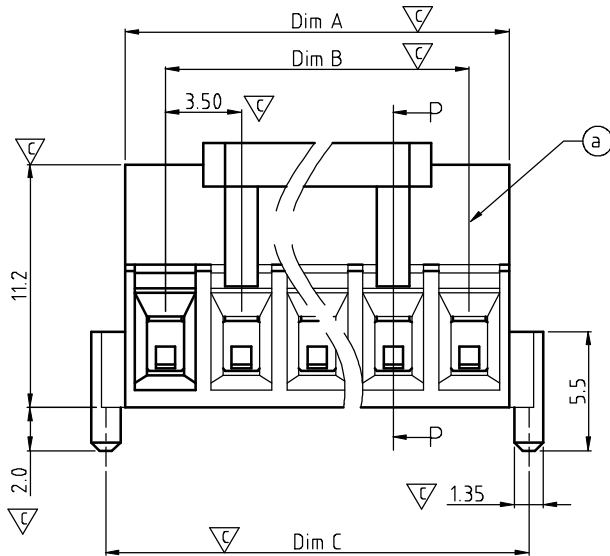
Dim A	NX3.50+0.20
Dim B	(N-1)X3.50
Dim C	NX3.50+2.0

N=NUMBER OF POLES

Poles	Tolerance
2p-6p	±0.15
7p-12p	±0.25
13p-16p	±0.30

Cover

Poles	Dim D
2P	7.00
3P	10.50



SIGN	DATE	DESCRIPTION	APPROVER
△	05/02`12	Operating temperature is changed from -45°C to +130°C to -45°C to +65°C	Guoxue
△	05/02`12	The description of material are changed	Guoxue
△	05/02`12	The dimension is change from 3.6 to 3.5	Guoxue
△	05/02`12	The dimension is change from 10.8 to 10.9	Guoxue
△	09/22`14	Add the safety certification icon & changedThe description of material	Evan
△	09/22`14	Operating temperature & reflow soldering temperature is changed	Evan

THIS IS CAD DRAWING, DO NOT REVISE MANUALLY!!!

- Material:
- Item ① Terminal housing: LCP (UL94V-0)
 - Item ② Clamp: Brass ,Ni plated
 - Item ③ Wire guard solder pin: Brass ,Tin plated
 - Item ④ Terminal screw: Steel Zinc plating "-" slot type
 - Item ⑤ Terminal Cover: LCP (UL94V-0)

Electrical cULus

- Voltage rating: 300VAC
- Current rating: 10A
- Wire range:
 - Solid wire(AWG): 16-30
 - Stranded wire(AWG): 16-30
- Torque: 1.7 Lb-In
- Screw: M2.0
- Wire strip length: 4-5mm
- Withstanding Voltage: 1.6KV
- Operating temperature: -45°C to +130°C
- Reflow soldering temperature: 260°C/10 Sec max
- △ Safety Approval: cULus
- Critical dimension: ∇

TZ xx 21 x 1 xxxx G

No. of poles 0 Black (RAL9005) RoHS compliant (lead<4%) In copper Alloy

02 2 POLES
03 3 POLES
... ..
16 16 POLES

B00:"@""Logo (Standard)
B00A:"ANYTEK""Logo
Any special item by customer request, please contact sales department.

ANYTEK				CUSTOMER COPY			
ALL RIGHTS RESERVED. REPRODUCTION OR ISSUE TO THIRD PARTIES IN ANY FORM WHATSOEVER IS NOT PERMITTED WITHOUT WRITTEN AUTHORITY FROM THE PROPRIETOR. PROPERTY OF ANYTEK TECHNOLOGY CO., LTD							
TITLE	TZ-3.5mm Series 2P-16P With pillar (With cover & tape reel)						
PART NO.	TZxx21x1xxxxG			DWG NO.	8TZ0201		
APPROVED	CHECKED	DESIGNED	DRAWN	CUST NO.	Tolerance		
		Evan 2014.09.22	Evan 2014.09.22				
					UNIT: mm	X.	±0.50
					SCALE: NONE	X.X	±0.30
						X.XX	±0.10
						X°	±1°
				SHEET: 01/01	REV.: D		