

Note: 3P Cover for odd poles  
2p Cover for even poles

Cover

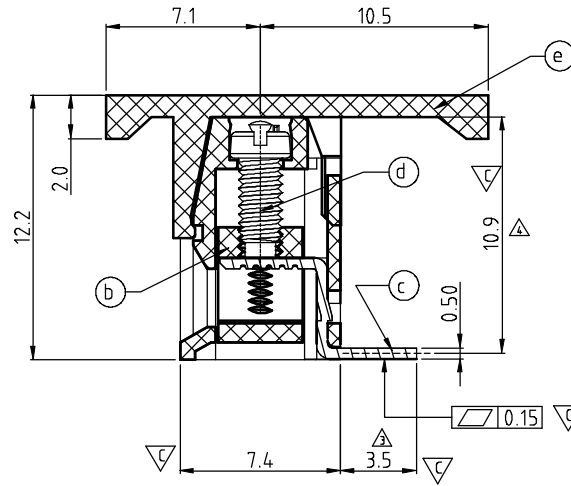
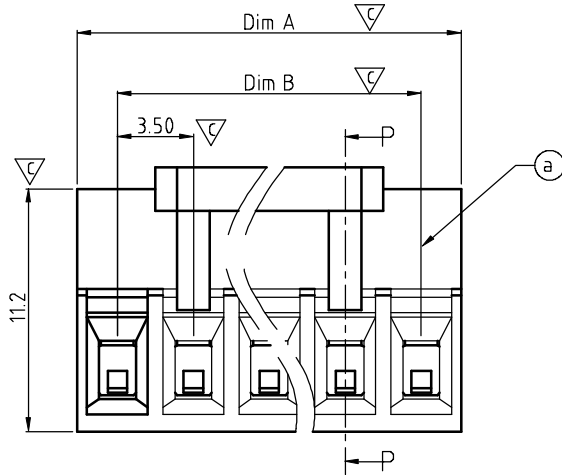
Poles	Dim C
2P	7.00
3P	10.50

DIMENSION

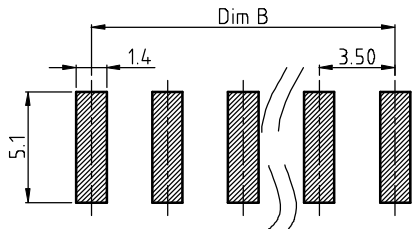
Dim A	NX3.50+0.20
Dim B	(N-1)X3.50

N=NUMBER OF POLES

Poles	Tolerance
2p-6p	±0.15
7p-12p	±0.25
13p-16p	±0.30



SECTION P-P



P.C.B. LAYOUT

SIGN	DATE	DESCRIPTION	APPROVER
△	05/02`12	Operating temperature is changed from -45°C to +130°C to -45°C to +65°C	Guoxue
△	05/02`12	The description of material are changed	Guoxue
△	05/02`12	The dimension is change from 3.6 to 3.5	Guoxue
△	05/02`12	The dimension is change from 10.8 to 10.9	Guoxue
△	09/22`14	Add the safety certification icon & changed The description of material	Evan
△	09/22`14	Operating temperature & reflow soldering temperature is changed	Evan

THIS IS CAD DRAWING, DO NOT REVISE MANUALLY!!!

Material:

- △ △ ● Item ⊕ Terminal housing: LCP (UL94V-0)
- Item ⊕ Clamp: Brass ,Ni plated
- Item ⊕ Wire guard solder pin: Brass ,Tin plated
- Item ⊕ Terminal screw: Steel Zinc plating "-" slot type
- △ △ ● Item ⊕ Terminal Cover: LCP (UL94V-0)

Electrical cULus

- Voltage rating: 300VAC
- Current rating: 10A
- Wire range:
- Solid wire(AWG): 16-30
- Stranded wire(AWG): 16-30
- Torque: 1.7 Lb-In
- Screw: M2.0
- Wire strip length: 4-5mm
- Withstanding Voltage: 16KV
- △ △ ● Operating temperature: -45°C to +130°C
- △ ● Reflow soldering temperature: 260°C/10 Sec max
- △ ● Safety Approval: cULus
- Critical dimension: ∇

TZ xx 21 x 3 xxxx G

No. of poles    0    Black (RAL9005)

02 2 POLES

03 3 POLES

... ..

16 16 POLES

RoHS compliant  
(lead<4%)  
In copper Alloy

B000:"@"Logo (Standard )

B00A:"ANYTEK"Logo

Any special item by  
customer request,  
please contact sales  
department.

**ANYTEK**

**CUSTOMER COPY**

ALL RIGHTS RESERVED. REPRODUCTION OR ISSUE TO THIRD PARTIES IN ANY FORM WHATSOEVER IS NOT PERMITTED WITHOUT WRITTEN AUTHORITY FROM THE PROPRIETOR. PROPERTY OF ANYTEK TECHNOLOGY CO., LTD

TITLE	TZ-3.5mm Series 2P-16P Without pillar ( With cover & tape reel )						
PART NO.	TZxx21x3xxxxG			DWG NO.	8TZ0203		
APPROVED	CHECKED	DESIGNED	DRAWN	CUST NO.	Tolerance		
		Evan 2014.09.22	Evan 2014.09.22				
					UNIT: mm	X.	±0.50
					SCALE: NONE	X.X	±0.30
						X.XX	±0.10
						X°	±1°
				SHEET: 01/01	REV.: D		