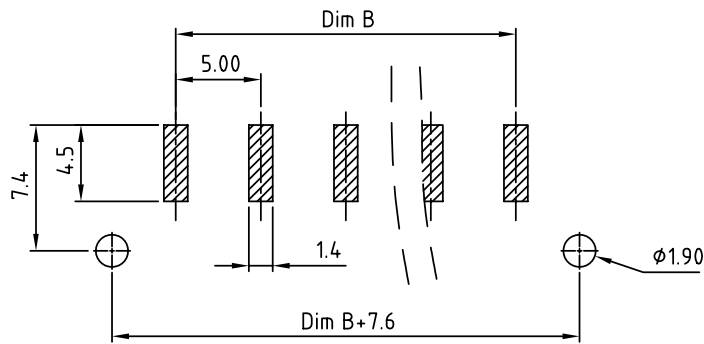
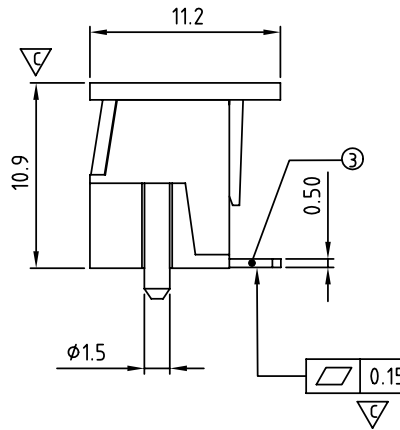
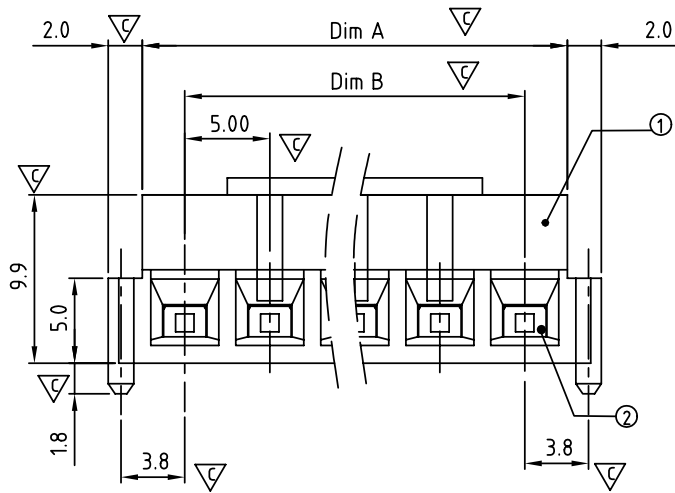
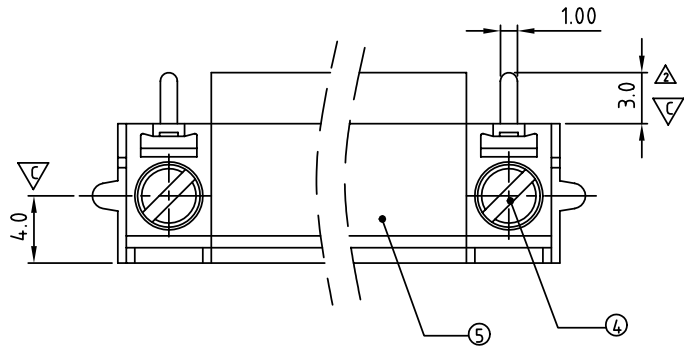


SIGN	DATE	DESCRIPTION	APPROVER
△	05/12/12	The description of material are changed	Guoxue
△	05/12/12	The dimension is changed from 3.00 to 3.0	Guoxue
△	05/12/12	The DWG NO. is changed.	Guoxue
<i>THIS IS CAD DRAWING, DO NOT REVISE MANUALLY!!!</i>			



RECOMMENDED PCB LAYOUT

N = NUMBER OF POLES
 Dim A=Nx5.0
 Dim B=(N-1)x5.0

	Dim A	Dim B
2-4p	±0.15	±0.10
5-7p	±0.20	±0.20

Material

- △ ●①Terminal housing : High temp. polyamide (UL94V-0)
- ②Clamp : Brass , Ni plated
- ③Wire guard solder pin : Brass , Tin plated
- ④Terminal screw: Steel Zinc plating "-" slot type
- △ ●⑤Cover :High temp. polyamide (UL94V-0)

Electrical

- Voltage rating: 300VAC
- Current rating: 6A
- Wire range:
- Solid wire(AWG): 14-30
- Stranded wire(AWG): 14-30
- Torque(Lb-In): 3.5
- Screw: M3
- Wire strip length: 7-8mm
- Withstanding Voltage: 1.6KV
- Operating temperature: -40°C to +130°C
- Soldering temperature: 280°C/10S
- Safety Approval: us
- Critical dimension:

T Z xx 0 1 x 1 Bxxx G

No. OF POLES
 02: 2 POLES
 :
 07: 07 POLES
 COLOR
 0: BLACK

RoHS compliant
 (lead<4%)
 In copper Alloy
 B000: "@" Logo (Standard)
 B00A: "ANYTEK" Mark
 Any special item by
 customer request.
 please contact sales
 department.

ANYTEK

CUSTOMER COPY

ALL RIGHTS RESERVED. REPRODUCTION OR ISSUE TO THIRD PARTIES IN ANY FORM WHATSOEVER IS NOT PERMITTED WITHOUT WRITTEN AUTHORITY FROM THE PROPRIETOR. PROPERTY OF ANYTEK TECHNOLOGY CO., LTD

TITLE		TZ 5.0 SERIES "-" (With cover & tape reel)				
PART NO.	TZxx01x1BxxxG	DWG NO.	8TZ0025 △			
APPROVED	CHECKED	DESIGNED	DRAWN	CUST NO.	Tolerance	
		Guoxue 2012.05.14	Guoxue 2012.05.14		UNIT: mm	X. ±0.50
					SCALE: NONE	X.X ±0.30
					REV.: B	X.XX ±0.10
				SHEET: 01/01		X° ±1°