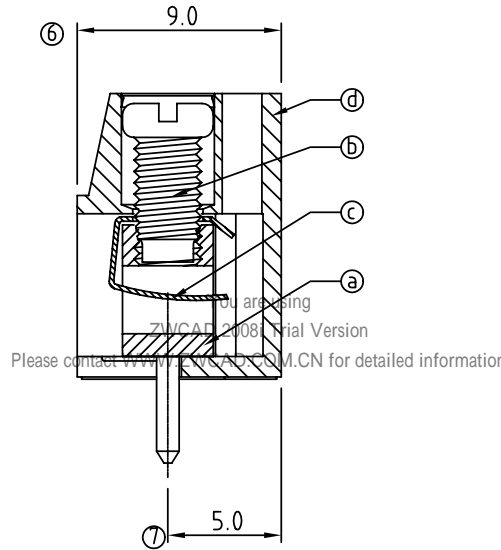
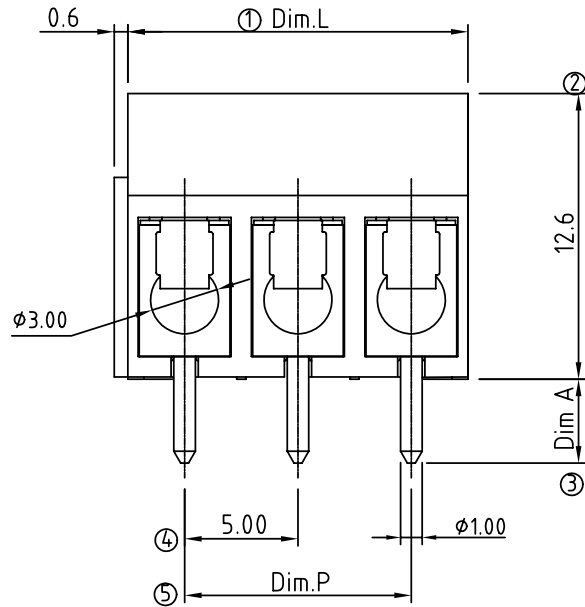
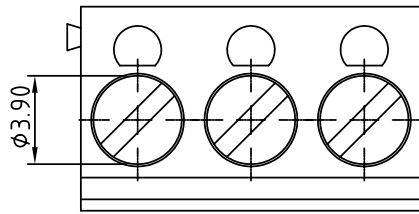


SIGN	DATE	DESCRIPTION	APPROVER
△	02/08'06	Part No. is changed.	Marivn
△	12.01'09	Abolished safety approval "VDE" & "CSA"	Kind
△	12.01'09	Operating Tem. changed from -30°~105° to -40°~115°	Kind
△	05/18'10	Solid wire changed from 14-22 to 14-26	Tason
△	05/18'10	Stranded wire changed from 14-22 to 14-26	Tason

*THIS IS CAD DRAWING, DO NOT REVISE MANUALLY!!!*



**Material**

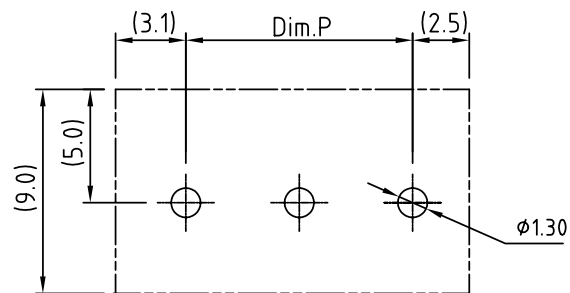
- (a) Terminal body: Brass(CuZn) Tin plated
- (b) Terminal screw: Steel Zinc plating "-" slot type
- (c) Wire guard: Stainless steel
- (d) Terminal housing: Thermoplastic (UL94V-0)

**Electrical UL**

- Voltage rating: 250VAC
- Current rating: 16A
- Wire range:
- △ ● Solid wire(AWG): 14-26
- △ ● Stranded wire(AWG): 14-26
- Torque: 2.6Lb-In
- Screw: M3
- Wire strip length: 6-7mm
- Withstanding Voltage: 1.5KV
- △ ● Operating temperature: -40°C to +115°C
- Soldering temperature: 250°C±10°C/5 Sec
- △ ● SAFETY APPROVAL DETA:

TA xx 01 x x BB00 G △

02 2 CONTACTS	0 Black	Dim A	RoHS
03 3 CONTACTS	5 Green	0 4.4mm	Pb<40,000ppm
... ..	6 Blue	1 3.8mm	
24 24 CONTACTS	8 Grey	2 3.5mm	



RECOMMENDED PCB LAYOUT

N = Number of poles  
 Dim L=Nx5.0  
 Dim P=(N-1)x5.0

Poles	Dim.	Dim L	Dim P
2-6p		±0.15	±0.10
7-12p		±0.20	±0.20
13-18p		±0.30	±0.25
19-24p		±0.40	±0.30

**ANYTEK**

**CUSTOMER COPY**

ALL RIGHTS RESERVED. REPRODUCTION OR ISSUE TO THIRD PARTIES IN ANY FORM WHATSOEVER IS NOT PERMITTED WITHOUT WRITTEN AUTHORITY FROM THE PROPRIETOR. PROPERTY OF ANYTEK TECHNOLOGY CO., LTD

TITLE		TA - 5.0mm series 1-Interlock		
PART NO.		TAxx01x0BB00G		DWG NO. 8TA0401
APPROVED	CHECKED	DESIGNED	DRAWN	CUST NO.
		Tason 2010.05.18	Kind 2009.12.01	
				Tolerance
				X. ±0.50
				X.X ±0.30
				X.XX ±0.10
				X° ±1°
SHEET: 01/01				REV.: E