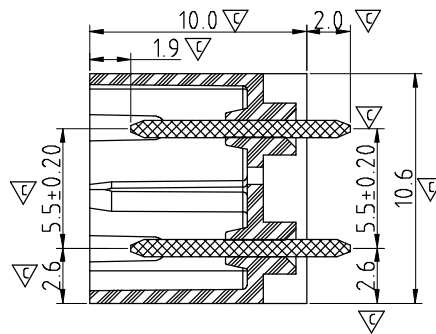
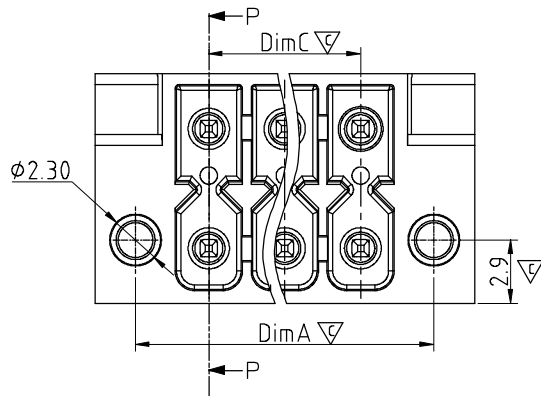
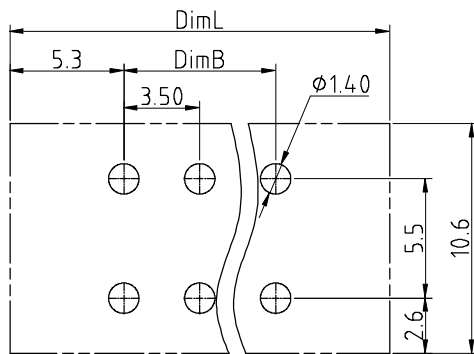


SECTION 0-0



SECTION P-P



P.C.B Layout
Top view

$$\begin{aligned} \text{DimL} &= (N/2 - 1) \times 3.5 + 10.5 \\ \text{DimA} &= (N/2 - 1) \times 3.5 + 6.75 \\ \text{DimB} &= (N/2 - 1) \times 3.5 \\ \text{DimC} &= (N/2 - 1) \times 3.5 \end{aligned}$$

N=Number of poles

POLES	Tol	Dim.	Dim.L/A/B/C
2x2p-2x6p			±0.15
2x7p-2x12p			±0.25
2x13p-2x18p			±0.30
2x19p-2x24p			±0.35

SIGN	DATE	DESCRIPTION	APPROVER
△			
△			
△			

THIS IS CAD DRAWING, DO NOT REVISE MANUALLY!!!

Material:

- Item A Terminal housing: LCP (UL94V-0) Halogen free
- Item B Male contact pin: Copper, Matte Tin plated
- Item C With flange nut: Brass ,Nickel plated. M2.0

Electrical: cULus

- Voltage rating: 150V
- Current rating: 5.5A
- Withstanding Voltage: 1.3KV
- Operating temperature: -45°C to +65°C
- Reflow Soldering temperature: 260°C/10 Sec max.
- Safety Approval:
- Critical dimension:

NR xx 1 2 x 0 xxxx G

No. OF POLES
04: 2x2 POLES
06: 2x3 POLES
:
:
48: 2x24 POLES

COLOR
0: BLACK

RoHS compliant
(lead<4%)
In copper Alloy

00G0: "@" Logo (Standard)
00GA: "ANYTEK" Mark
Any special item by
customer request.
please contact sales
department.

ANYTEK

CUSTOMER COPY

ALL RIGHTS RESERVED. REPRODUCTION OR ISSUE TO THIRD PARTIES IN ANY FORM WHATSOEVER IS NOT PERMITTED WITHOUT WRITTEN AUTHORITY FROM THE PROPRIETOR. PROPERTY OF ANYTEK TECHNOLOGY CO., LTD

TITLE		NR 3.5mm series with flange vertical (THR type)			
PART NO.	NRxx12x0xxxxG	DWG NO.	8NR0005	Tolerance	
APPROVED		CHECKED		DESIGNED	
		Airy min 2015.06.18	Airy min 2015.06.18	CUST NO.	
				UNIT: mm	X. ±0.50
				SCALE: NONE	X.X ±0.30
				SHEET: 01/01	X.XX ±0.10
				REV.: B	X° ±1°