

P.C.B Layout  
Top view

$$\text{DimL} = (N/2 - 1) \times 3.5 + 4.30$$

$$\text{DimB} = (N/2 - 1) \times 3.5$$

$$\text{DimC} = (N/2 - 1) \times 3.5$$

N=Number of poles

POLES	Dim. Tol	Dim.L/B/C
2x2p-2x6p		±0.15
2x7p-2x12p		±0.25



SIGN	DATE	DESCRIPTION	APPROVER
△			
△			
△			

THIS IS CAD DRAWING, DO NOT REVISE MANUALLY!!!

Material:

- Item ① Terminal housing: LCP (UL94V-0) Halogen free
- Item ② Male contact short pin: Copper, Matte Tin
- Item ③ Male contact long pin: Copper, Matte Tin

Electrical: cULus

- Voltage rating: 150V
- Current rating: 5.5A
- Withstanding Voltage: 1.6KV
- Operating temperature: -40°C to +130°C
- Reflow soldering temperature: 260°C/10 Sec Max
- Safety Approval: 
- Critical dimension: 

NR xx 1 1 x 1 xxxx G

No. OF POLES

- 04: 2x2 POLES
- 06: 2x3 POLES
- ...
- 24: 2x12 POLES

COLOR  
0: BLACK

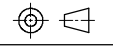
RoHS compliant  
(lead<4%)  
In copper Alloy

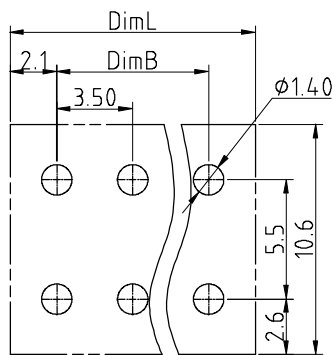
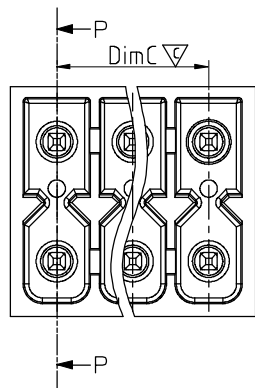
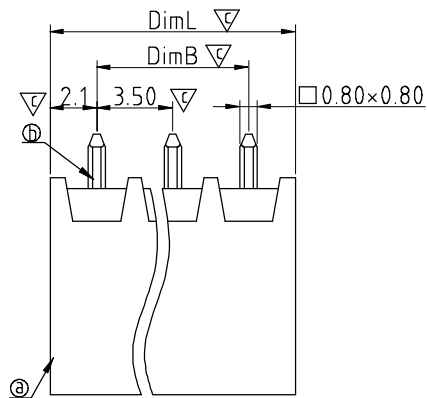
00G0: "@" Logo (Standard)  
00GA: "ANYTEK" Mark  
Any special item by  
customer request.  
please contact sales  
department.

# ANYTEK

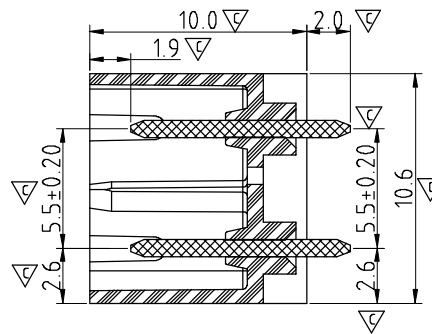
## CUSTOMER COPY

ALL RIGHTS RESERVED. REPRODUCTION OR ISSUE TO THIRD PARTIES IN ANY FORM WHATSOEVER IS NOT PERMITTED WITHOUT WRITTEN AUTHORITY FROM THE PROPRIETOR. PROPERTY OF ANYTEK TECHNOLOGY CO., LTD

TITLE		NR 3.5mm 90° W/o Flange Series			
PART NO.	NRxx11x1xxxxG	DWG NO.	8NR0002		
APPROVED	CHECKED	DESIGNED	DRAWN	CUST NO.	Tolerance
		Airy min 2014.12.18	Airy min 2014.12.18		X. ±0.50 X.X ±0.30 X.XX ±0.10 X° ±1°
SHEET: 01/01				UNIT: mm	
				SCALE: NONE	
				REV.: B	



P.C.B Layout  
Top view



SECTION P-P

DimL=(N/2-1)×3.5+4.30
DimB=(N/2-1)×3.5
DimC=(N/2-1)×3.5

N=Number of poles

POLES	Tol	Dim.	Dim.L/B/C
2x2p-2x6p			±0.15
2x7p-2x12p			±0.25
2x13p-2x18p			±0.30
2x19p-2x24p			±0.35

SIGN	DATE	DESCRIPTION	APPROVER
△			
△			
△			

THIS IS CAD DRAWING, DO NOT REVISE MANUALLY!!!

Material:

- Item ③ Terminal housing: LCP (UL94V-0) Halogen free
- Item ④ Male contact pin: Copper, Matte Tin plated

Electrical: cULus

- Voltage rating: 300V
- Current rating: 5.5A
- Withstanding Voltage: 1.3KV
- Operating temperature: -45°C to +65°C
- Reflow Soldering temperature: 260°C/10 Sec max.
- Safety Approval:
- Critical dimension:

NR xx 1 1 x 0 xxxx G

No. OF POLES  
04: 2x2 POLES  
06: 2x3 POLES  
:  
:  
48: 2x24 POLES

COLOR  
0: BLACK

RoHS compliant  
(lead<4%)  
In copper Alloy

00G0: "@" Logo (Standard)  
00GA: "ANYTEK" Mark  
Any special item by  
customer request.  
please contact sales  
department.

**ANYTEK**

**CUSTOMER COPY**

ALL RIGHTS RESERVED. REPRODUCTION OR ISSUE TO THIRD PARTIES IN ANY FORM WHATSOEVER IS NOT PERMITTED WITHOUT WRITTEN AUTHORITY FROM THE PROPRIETOR. PROPERTY OF ANYTEK TECHNOLOGY CO., LTD

TITLE		NR 3.5mm series close vertical (THR type)			
PART NO.	NRxx11x0xxxxG	DWG NO.	8NR0004		
APPROVED	CHECKED	DESIGNED	DRAWN	CUST NO.	Tolerance
		Airy min 2014.12.18	Airy min 2014.12.18		X. ±0.50 X.X ±0.30 X.XX ±0.10 X° ±1°
SHEET: 01/01				REV.: B	UNIT: mm SCALE: NONE